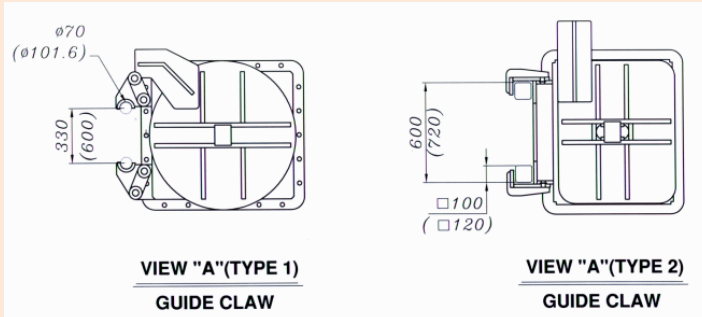


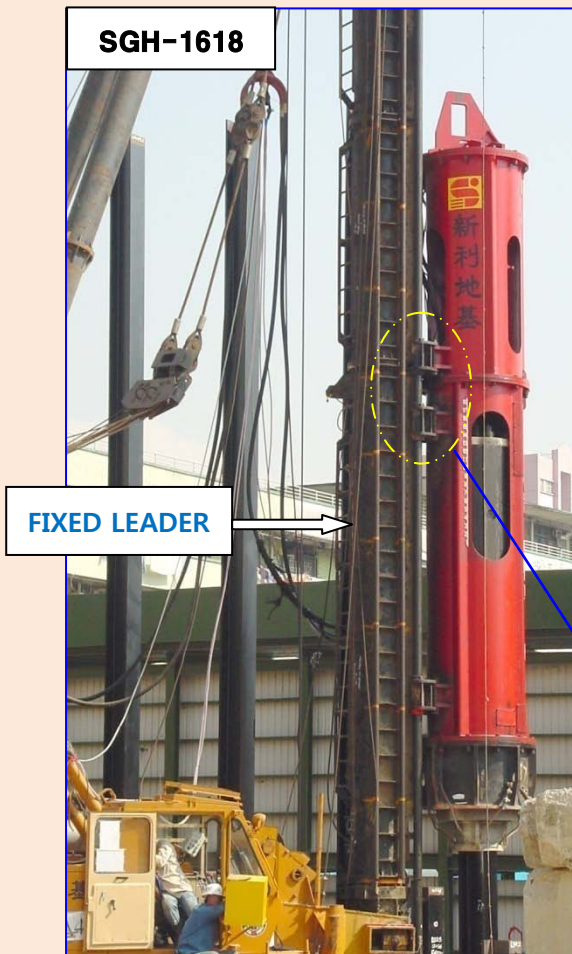
HAMMER MOUNTING GUIDE TYPE & DIMENSION

- **FIXED LEADER GUIDE CLAW TYPE** for Fixed Leader Mounting Type



| Type | Guide Shape | Dimension (mm) |
|----------|-------------|----------------|
| TYPE "1" | Round | Ø70 × 330 |
| | | Ø101.6 × 600 |
| TYPE "2" | Square | □100 × 600 |
| | | □120 × 720 |

- Other dimensions and types can be modified according to custom request.



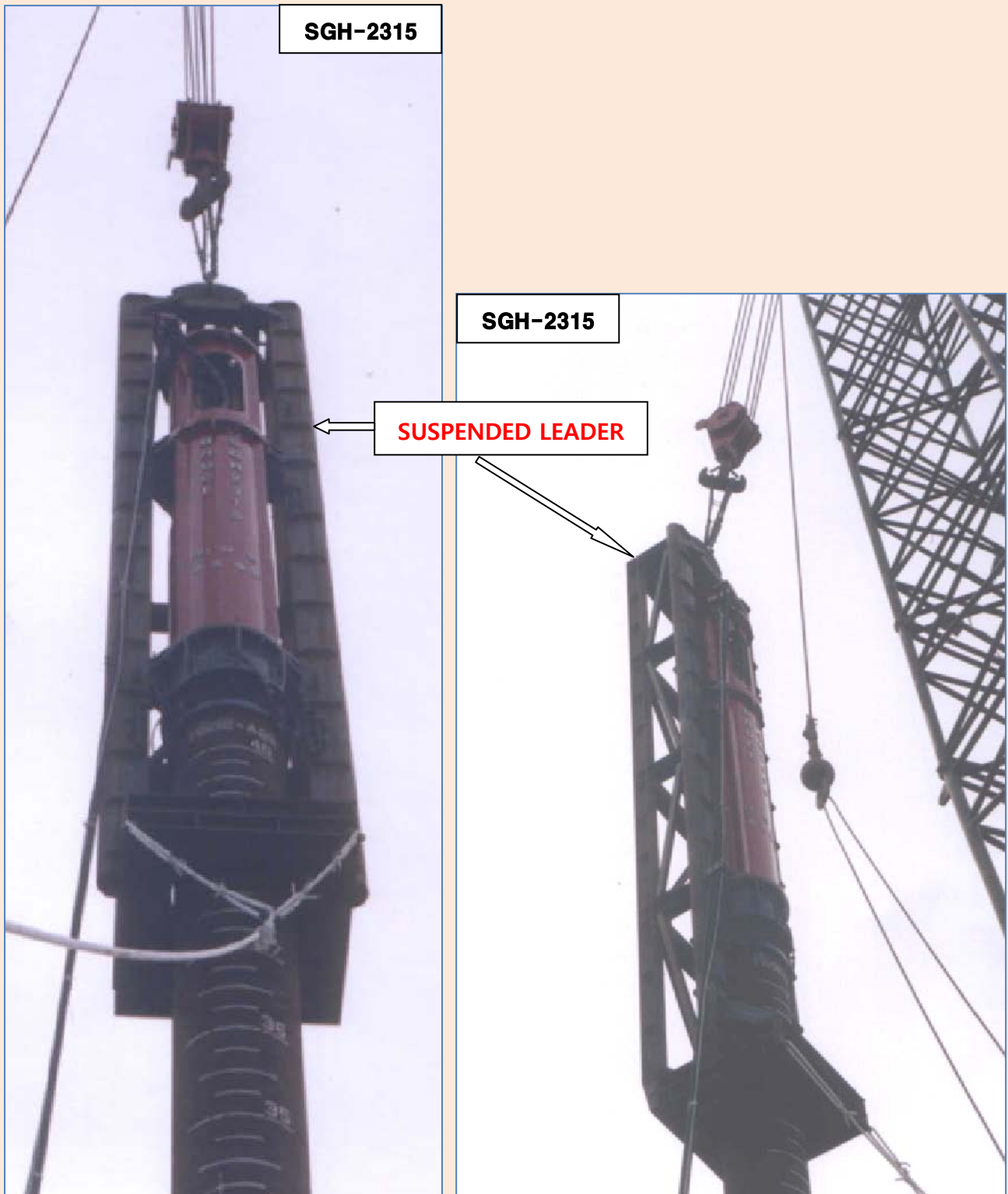
GUIDE TYPE "2"

GUIDE TYPE "1"

• **LONG PILE SKIRT TYPE** for Crane Suspended Free Hanging

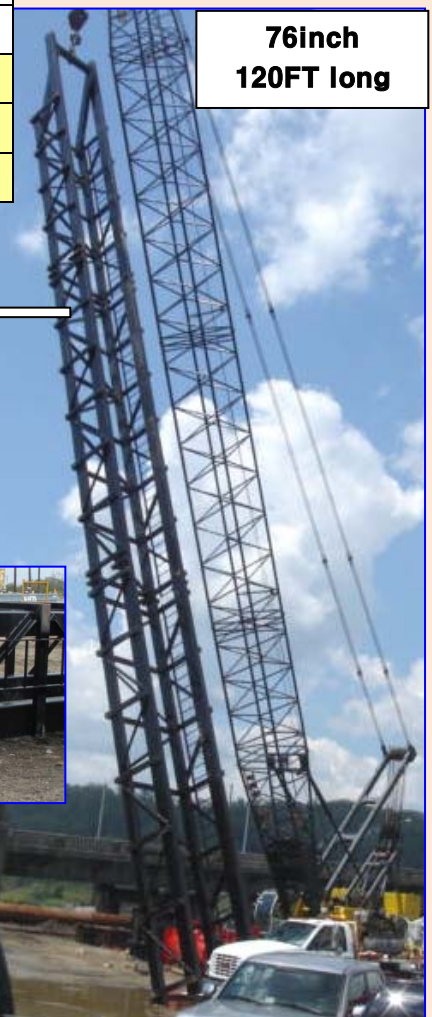
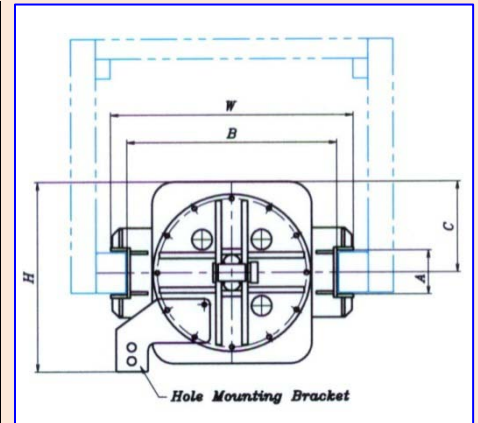


- **SUSPEND LEADER TYPE** for crane free hanging suspended



• **U TYPE** for U Type Leads

| BRUCE Model | U Type Leads Size (inch) | Hammer Dimension (in) | | |
|-------------|--------------------------|-----------------------|----|------|
| | | A | B | C |
| SGH-0212 | 8 X 27 | 9 | 26 | 18.3 |
| SGH-0312 | 8 X 27 | 9 | 26 | 18.3 |
| SGH-0412 | 8 X 27 | 9 | 26 | 18.3 |
| SGH-0512 | 8 X 33 | 9 | 32 | 21.6 |
| SGH-0712 | 8 X 33 | 9 | 32 | 21.6 |
| SGH-1012 | 10 X 50 | 11 | 49 | 57.9 |
| SGH-1212 | 10 X 50 | 11 | 49 | 57.9 |
| SGH-1412 | 10 X 57 | 11 | 56 | 27.9 |
| SGH-1415 | 10 X 57 | 11 | 56 | 27.9 |
| SGH-1612 | 10 X 57 | 11 | 56 | 27.9 |
| SGH-1812 | 10 X 57 | 11 | 56 | 27.9 |
| SGH-2012 | 10 X 57 | 11 | 56 | 27.9 |
| SGH-2015 | 10 X 57 | 11 | 56 | 27.9 |
| SGH-3012 | 16 X 76 | 17 | 75 | 40 |
| SGH-3013 | 16 X 76 | 17 | 75 | 40 |
| SGH-3015 | 16 X 76 | 17 | 75 | 40 |



• The Hammer dimension will be modified without notification.



U-TYPE LEADS

