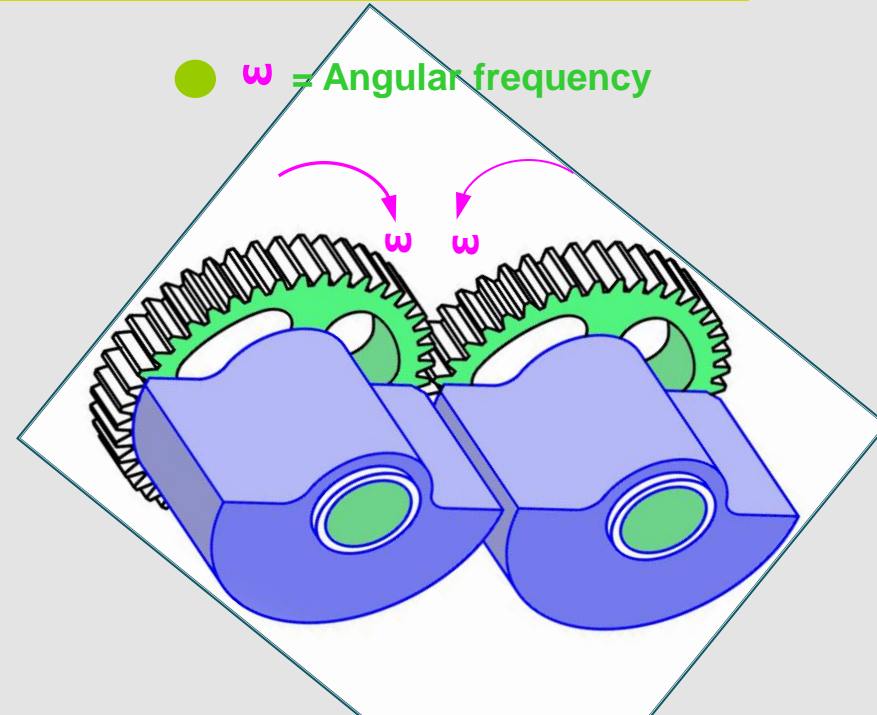
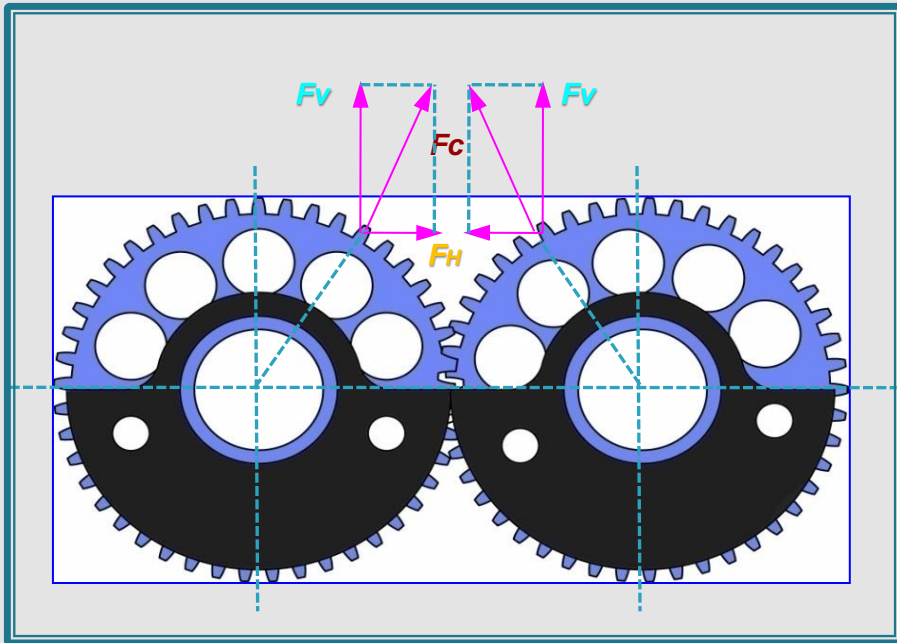




The principle of vibration start-up through centrifugal force adjustment with swiveling of the eccentrics.



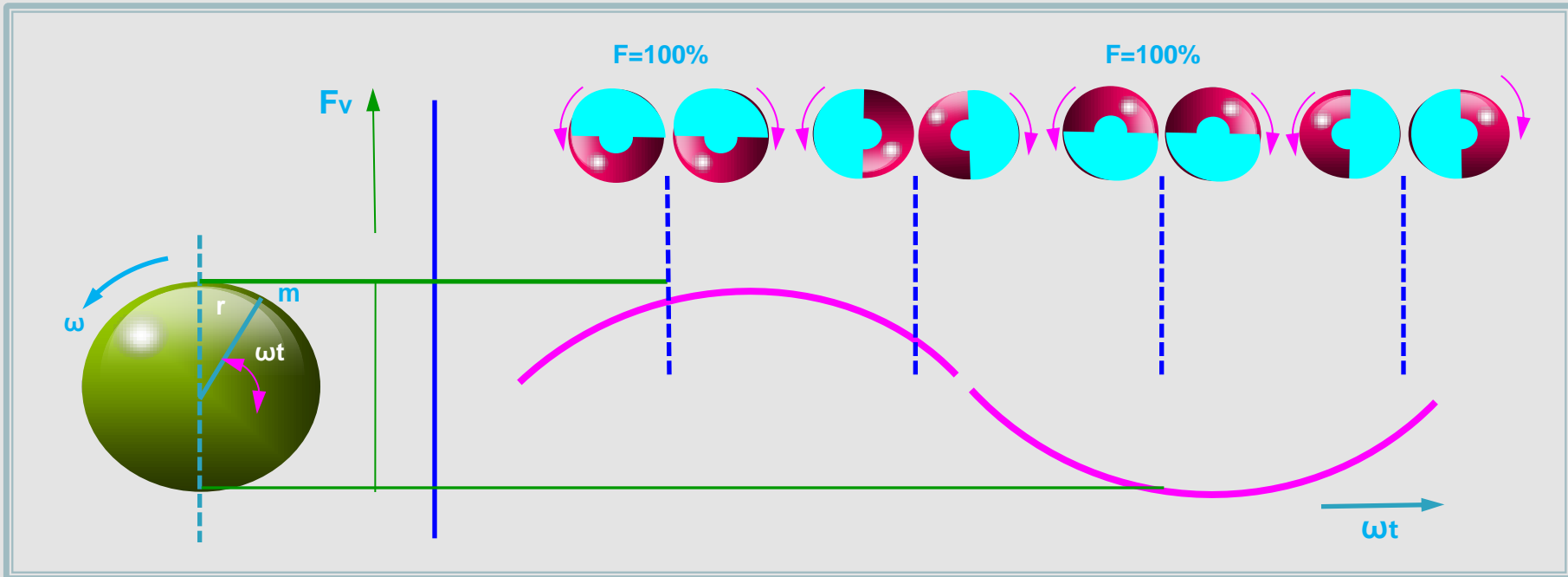
- F_c = Centerfugal Force
- F_v = Vertical Force
- F_h = Horizontal Force

Formula of Centrifugal Force

- 1) Angular frequency (rad/sec) : $2 \times 3.14 \times \text{Vibro vpm} / 60$
- 2) Centrifugal force (kN) : Eccentric Moment \times Angular frequency 2



It vibrates the sheet or Casing piles to be driven or extracted.



● F_v = Vertical Force

● ω = Angular frequency

● ωt = Angular frequency in m rad./s

● r = Rotations per minute

● m = Horizontal Force